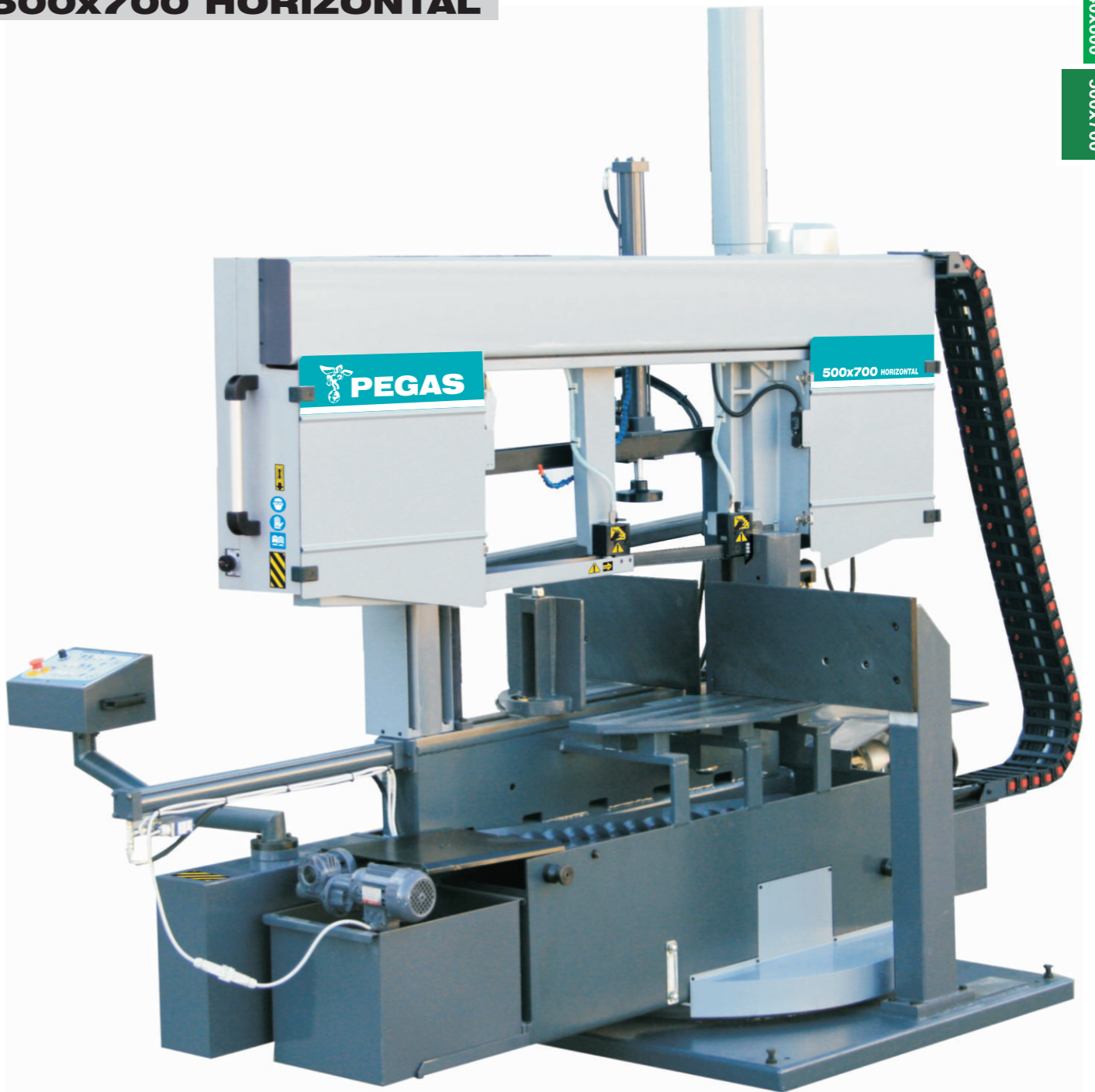
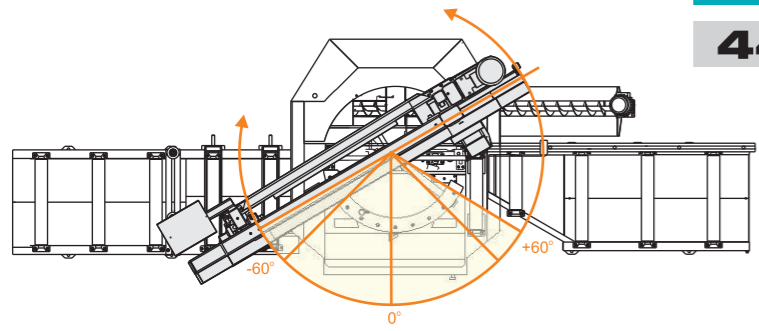
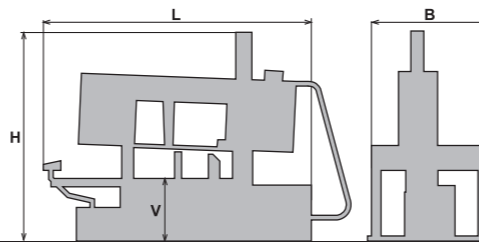
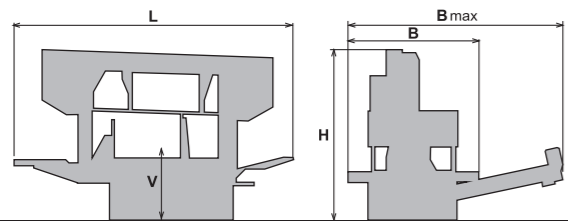


# PEGAS PEGAS

## 440x600 HORIZONTAL 500x700 HORIZONTAL



440x600  
500x700



mm	0°	45°	60°	45°	60°	$\frac{b}{a \times b}$
	450	450	390	450	310	X
	250*	180*	130*	180*	130*	X
$a \times b$	600x440	580x440	390x440	480x440	310x360	600x250
$a \times b$	600x440	580x440	390x440	480x440	240x440	600x250

3x400V 50 Hz	4,0	20-100	5720x34x1,1		1605
L	Bmin	Bmax	Hmin	Hmax	V
3280	1460	2400	1905	2010	830

mm	0°	45°	60°	45°	$\frac{b}{a \times b}$
	500	380	210	500	X
	400*	280*	200*	280*	X
$a \times b$	700x500	380x500	210x500	580x500	500x300
$a \times b$	700x500	380x500	210x500	580x500	500x300

3x400V 50 Hz	4,0	20-118	5540x41x1,3		1800
L	B	Hmin	Hmax	V	
3500	2200	1450	2200	930	

\*doporučené hodnoty / recommended values

\*doporučené hodnoty / recommended values

